

CABLE 328 RF: RF CABLE ASSEMBLY, HIROSE U.FL + TNC STRAIGHT BULKHEAD JACK W/O-RING RATED TO IP67/68 + 1.37MM CABLE

SPECIFICATIONS:

- HIROSE U.FL PLUG, P/N: U.FL-LP-088.
- Ø1.37MM COAXIAL CABLE, COLOR: BLACK.
- TNC STRAIGHT BULKHEAD JACK WITH O-RING RATED TO IP67/68, P/N: RFCT-TNC006-F78.

ENVIRONMENTAL:

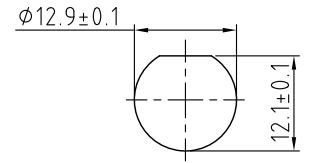
- A. BULKHEAD MOUNTED CONNECTOR (RFCT-TNC006-F78) RATED TO THE FOLLOWING SPECIFICATION:
- IP6X - DUST TIGHT - NO PARTICLE INGRESS.
  - IPX7 WATERPROOF FOR 30 MINUTES UP TO 1 METER UNDERWATER.
  - IPX8 WATERPROOF FOR 48 HOURS AT 1 METER UNDERWATER.

NOTES:

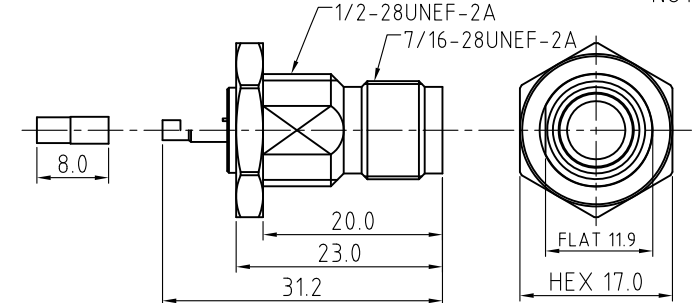
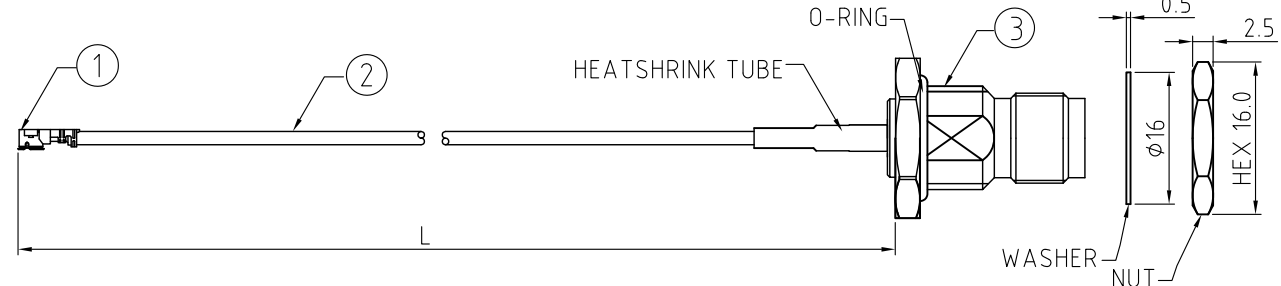
- THE ORIENTATION OF CONNECTORS ON DRAWING IS FOR REFERENCE ONLY, IF THE ORDER IS LEFT BLANK THE CONNECTOR WILL NOT HAVE FIXED ORIENTATION.
- FIXED ORIENTATION IS SUGGESTED FOR CABLE LENGTH 25MM TO 100MM. PLEASE SPECIFY THE FIXED ORIENTATIONS FROM THE ORDER CODE (F1, F2, ETC)
- CONTACT GRAD CONN IF THE ORIENTATION YOU REQUIRE IS NOT SHOWN.
- WORKING FREQUENCY RANGE: DC-3GHz

**USAGE PRECAUTIONS: CABLES USING 'MICRO' COAX ARE DELICATE:**

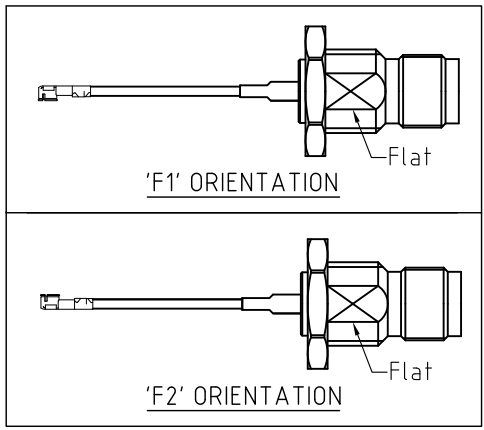
- HANDLE WITH CARE.
- DO NOT TWIST; APPLY EXCESSIVE FORCES OR SHARP BENDS TO THE CABLE. DO NOT FORCEFULLY DEFORM WIRES.
- CONSULT CONNECTOR MANUFACTURER'S DATASHEETS FOR DETAILED NOTES ON HANDLING INSTRUCTIONS.



RECOMMENDED TNC MOUNTING HOLE



TNC DETAIL DRAWING



**HOW TO ORDER**

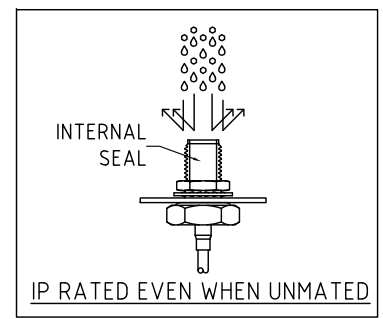
CABLE 328 RF - XXX - XX - X - 1

"L" LENGTH IN MM  
eg: 100MM = 100  
(MIN. 025-MAX.400  
STANDARD = 100, 150, 200)  
Tolerance: <50mm : ±2mm.  
51-200mm: ±5mm.  
201-400mm: ±7mm.

CABLE SIZE :  
1 = Ø1.37MM CABLE, COLOR: BLACK

**WASHER AND NUT OPTIONS:**  
BLANK = SEPARATELY PACKED (STANDARD)  
A = ASSEMBLED WITH CONNECTOR

**ORIENTATION OPTIONS:**  
BLANK = DOES NOT HAVE A FIXED ORIENTATION  
F1 = U.FL CONNECTION DOWN (L=25-200MM)  
F2 = U.FL CONNECTION UP (L=25-200MM)  
(SEE NOTES 1, 2, 3 AND DIAGRAMS FOR MORE INFORMATION)



REV. DATE & DRN  
10 30/07/18 - NFW RELEASE  
11 17/03/24 - CC  
ADD IP RATING VIEW

Scale: NTS	THIRD ANGLE	Unstated .X .XX .XXX	Tolerances: N/A N/A N/A
Drawn: CC		ANGLES	N/A
App'd: XXX	Title CABLE ASSEMBLY		
Date: 17 MAR. '24	Revision: 1.1	Unit: mm	



IP Rated RF Products www.gradconn.com

THIS DRAWING IS CONFIDENTIAL AND MUST NOT BE COPIED OR DISCLOSED WITHOUT WRITTEN CONSENT

Type: Cable 328 RF
CABLE 328 RF
Drawing Number:
Sheet 1 of 1
Drawing © E and O E